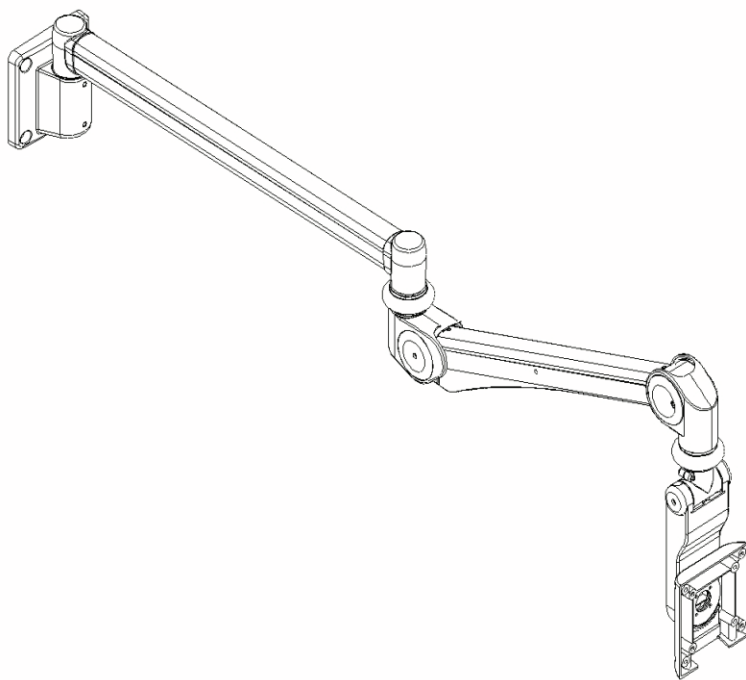


Installation Manual

Extra Long Reach

4 ft. Ergonomic Articulating Tablet/ Monitor Arm Mount



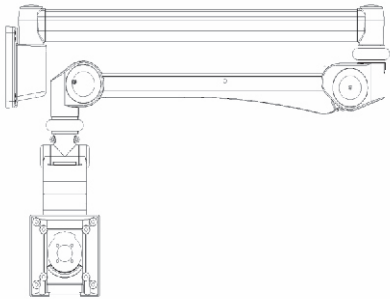
Before Assembling-

- Please spend some time reading this installation guide then follow the simple step by step guide to assembly
- Some panels are viewed differently from the exploded drawing below this is for extra clarity
- Do not discard any of the packaging until you have checked all parts and fittings are present
- If you are missing any of the parts,contact supplier where you purchased,








Parts Check List -----	02
Arm Operation -----	03
Positioning Example -----	04
Arm Range of Motion -----	05
Wall Mount Assembly -----	06
Part Introduction -----	10
Remove Cable Covers-----	11
Insert Cables Through Arm-----	12
Monitor Assembly -----	13
Adjustments for Loading-----	14
Cable Covers Assembly-----	15
Adjusting Universal Joint Tension-----	18
Safety Notes -----	19






Parts Check list

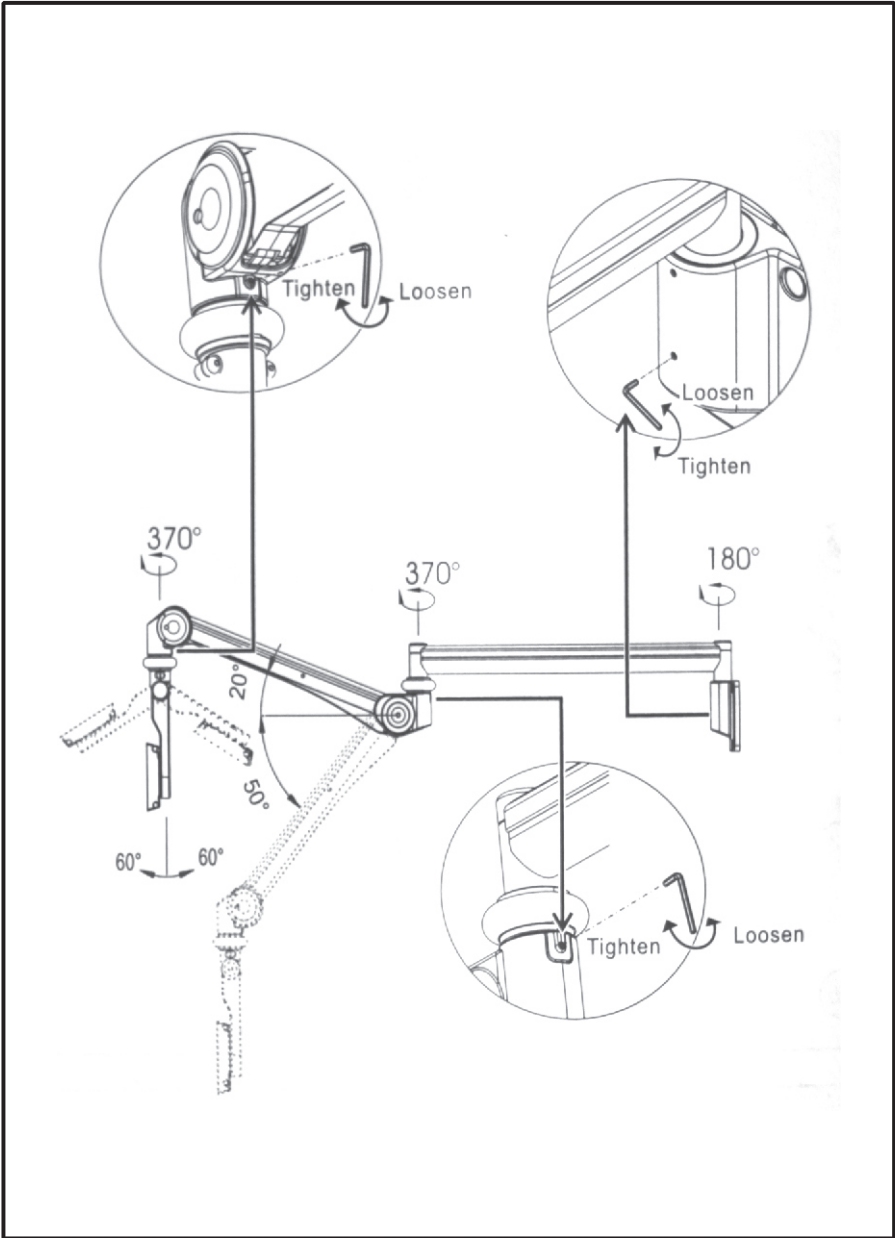


x1

<p>02  X4</p> <p>03  X4</p> <p>04  X2</p> <p>05  X6</p>	<p>06  (6mm) X1</p> <p>07  (3mm) X1</p> <p>08  (4mm) X1</p>
--	--

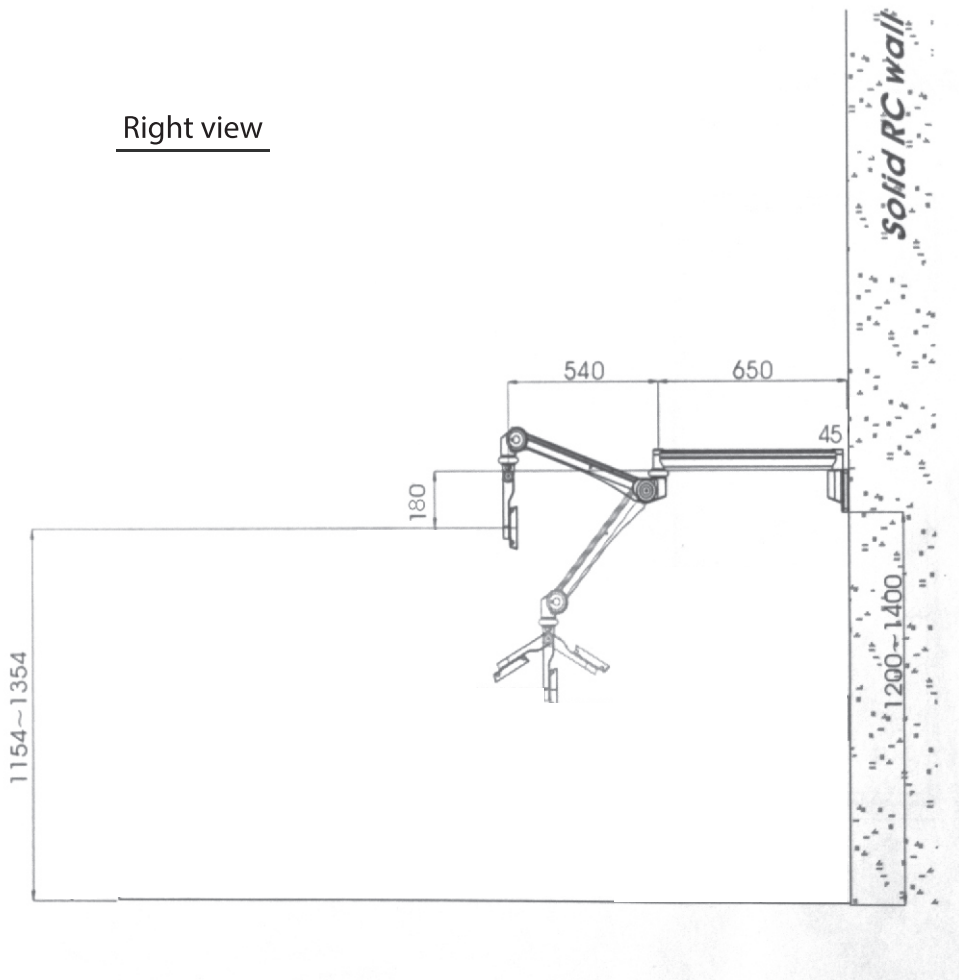
<p>09  X1</p>	<p>10  X4</p> <p>11  X2</p> <p>12  X4</p>
--	--

Arm Operation



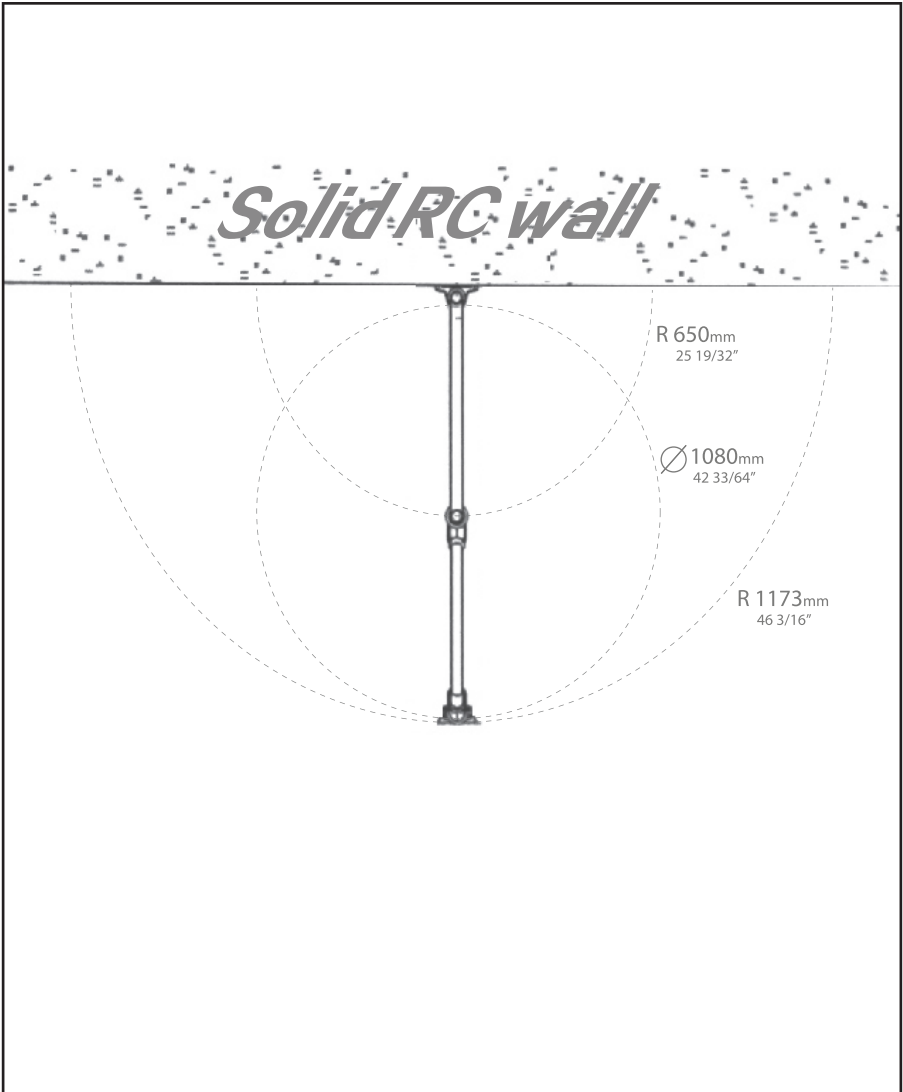
Positioning Example

Right view



Arm Range of Motion

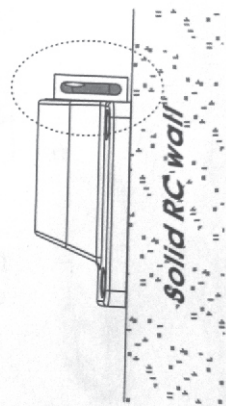
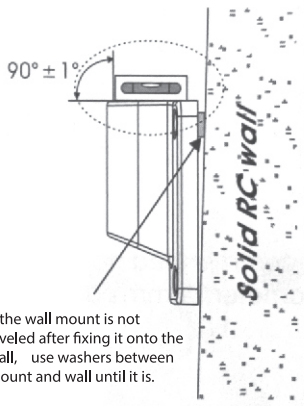
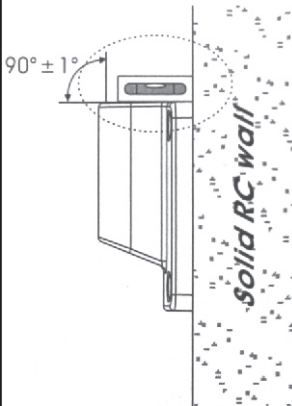
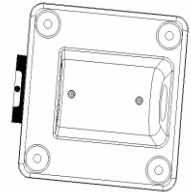
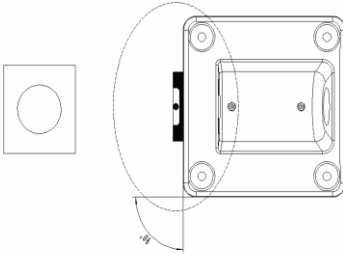
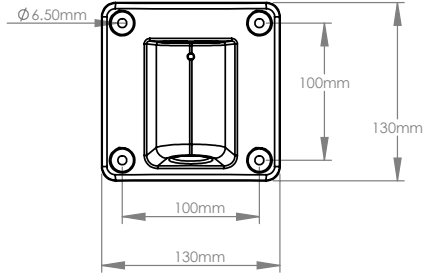
Top view



Wall Mount Assembly

Note

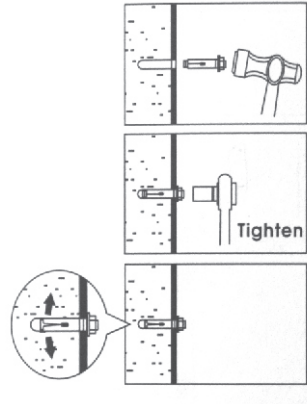
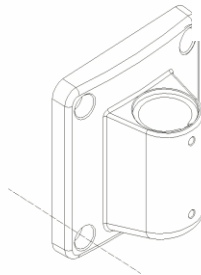
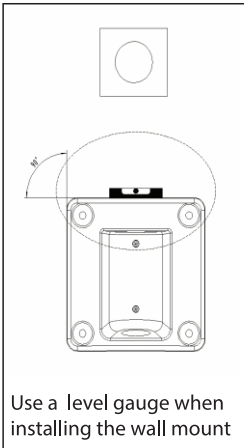
Use a bubble gauge to align as shown



Wall Mount Assembly

1.1

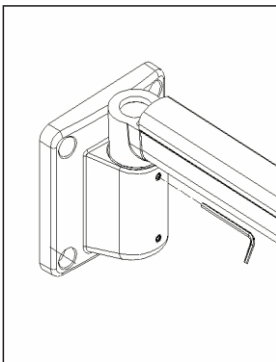
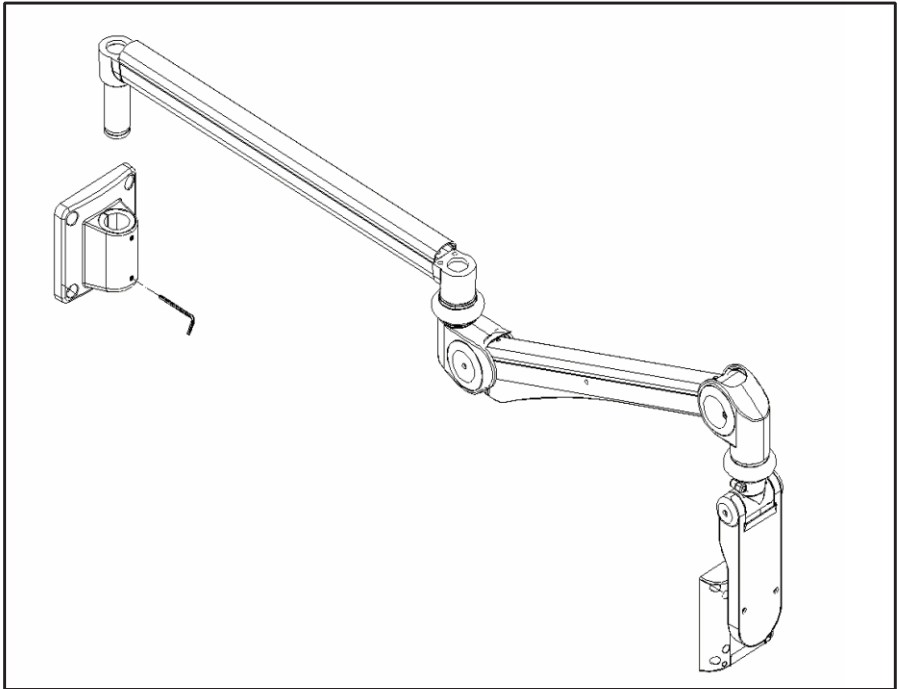
1. Inspect wall integrity before assembly
2. Place wall mount at desired height and use it as a template to mark drill holes
3. Recommended drill bit size- dia. 6mm (1/4")/ depth 40mm (1 5/8")
4. Install wall mount on wall using 4 expansion bolts
5. Use the screw covers to cover the screw heads



Recommended drill bit size- dia. 6mm (1/4")/ depth 40mm (1 5/8")

Wall Mount Assembly

Slide arm all the way onto mount, fasten screws in order shown;
loosen/ tighten to set tension of swing motion

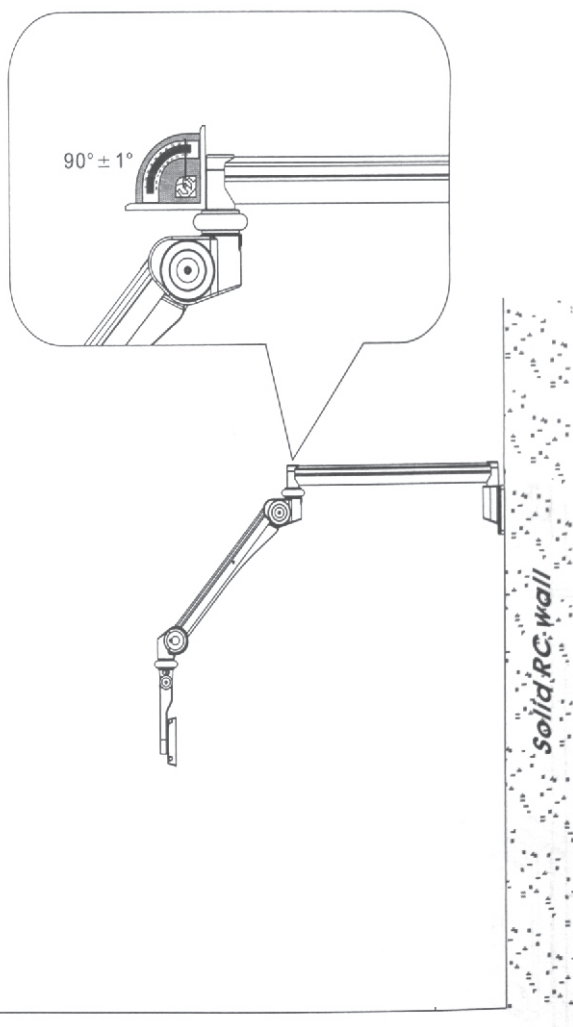


2.

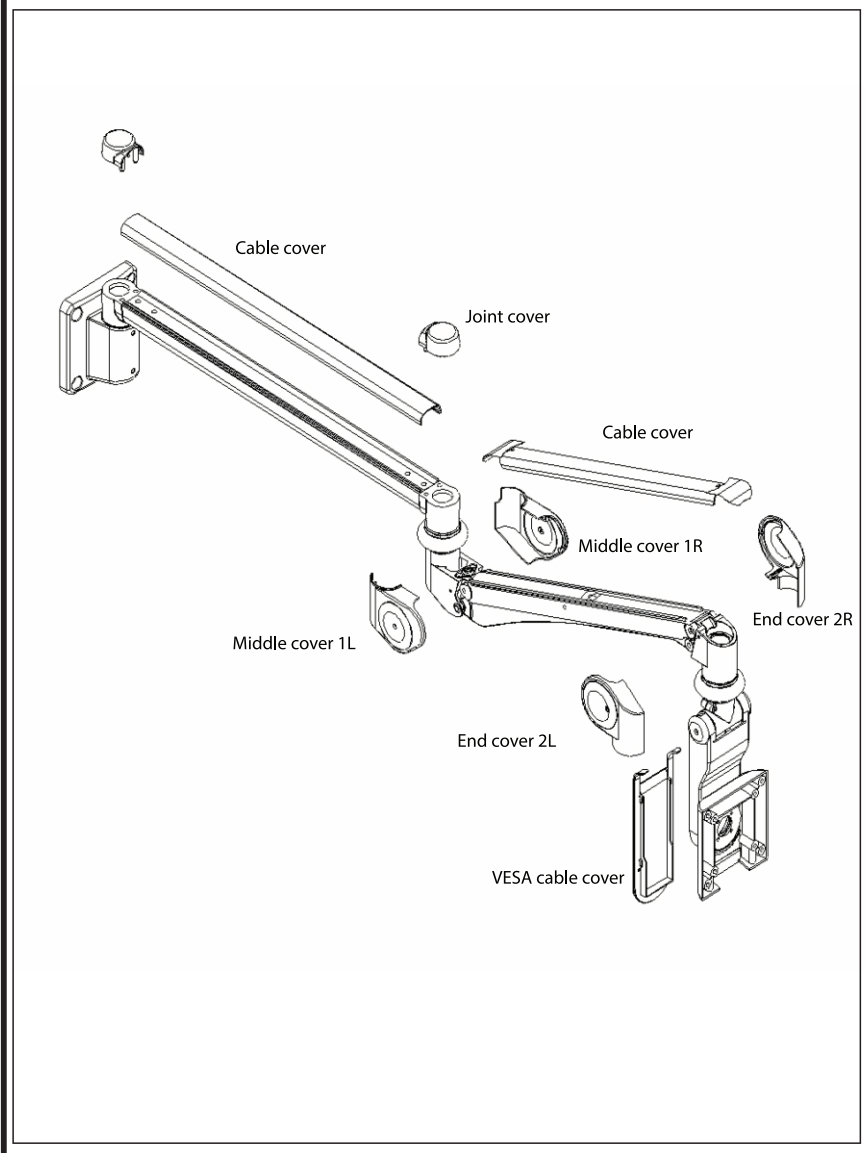
Use a 3mm Allen key to fasten the top screw.
tighten/loosen this screw for adjusting swing's tightness

Note:

Make sure this joint is vertical/ parallel to wall



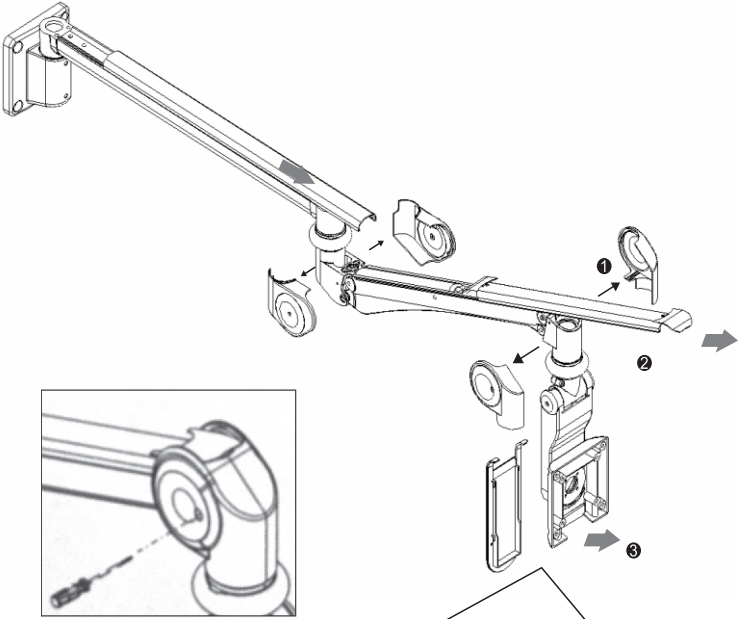
Part Introduction



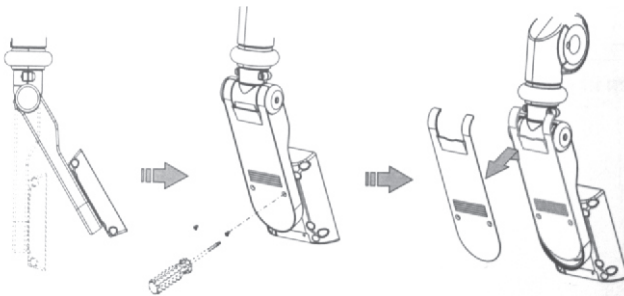
1.1

Remove cable covers

Slide the cable covers out of the arm slot carefully as shown

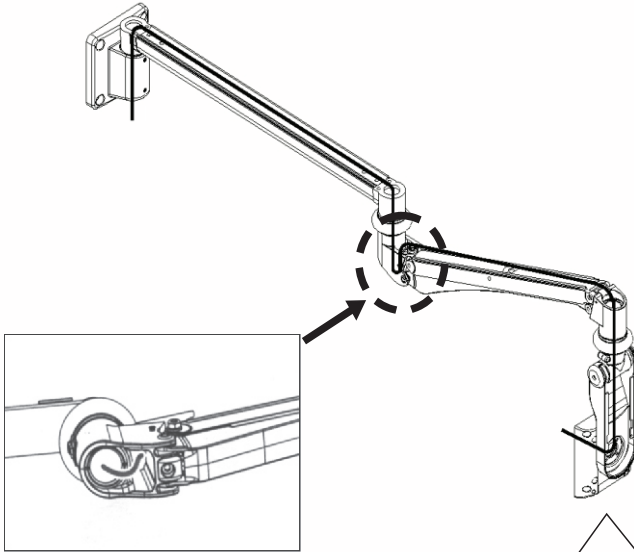


Remove the VESA cable cover using a screw driver (not provided) as shown, keep screws for re-assembly.

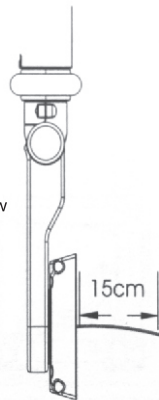


1.2

Insert Cables through arm



- The VESA adapter must be at the vertical position when routing the cable through
- Leave at least 15 cm (6") of cable extending out of the mount to allow full arm movement



Adjustments for Loading

Caution when adjusting weight capacity:

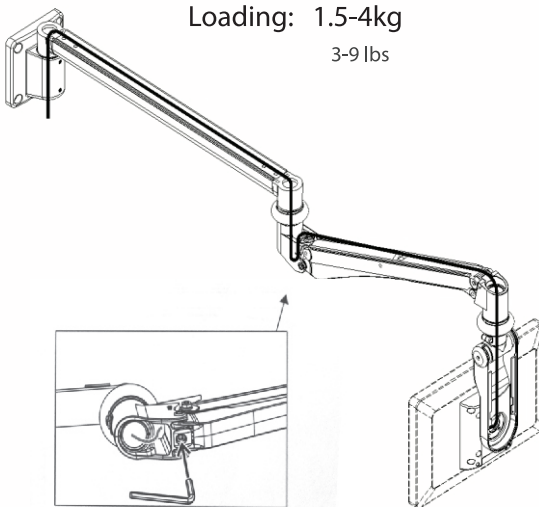
1. Check actual weight of the panel you intend to mount
2. Support the arm throughout/ during assembly

Adjustments:

Use the Allen key provided to adjust the weight capacity.

Turn allen key

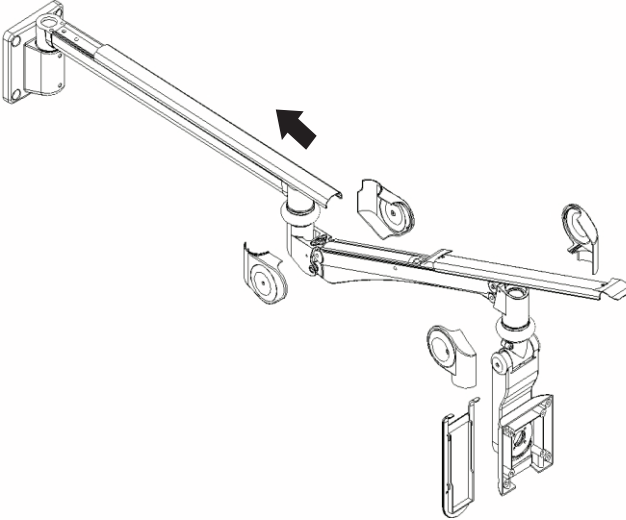
- clockwise for more weight
- counterclockwise for less weight



Cable Covers Assembly

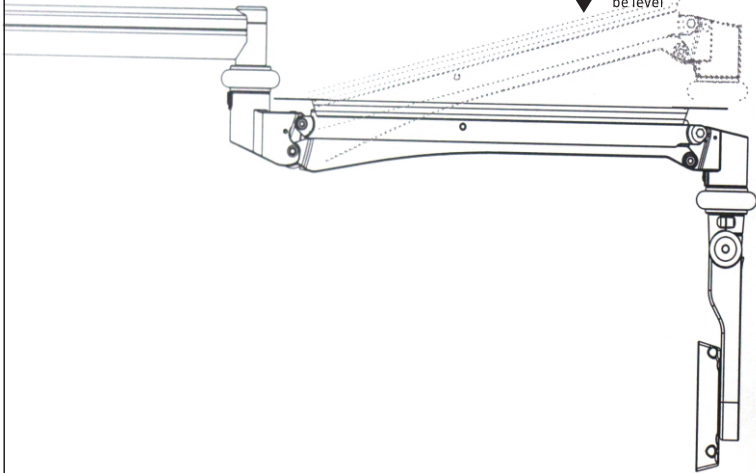
1.1

Follow the order as below to assemble the covers. Replace the adjuster covers as shown



1.2

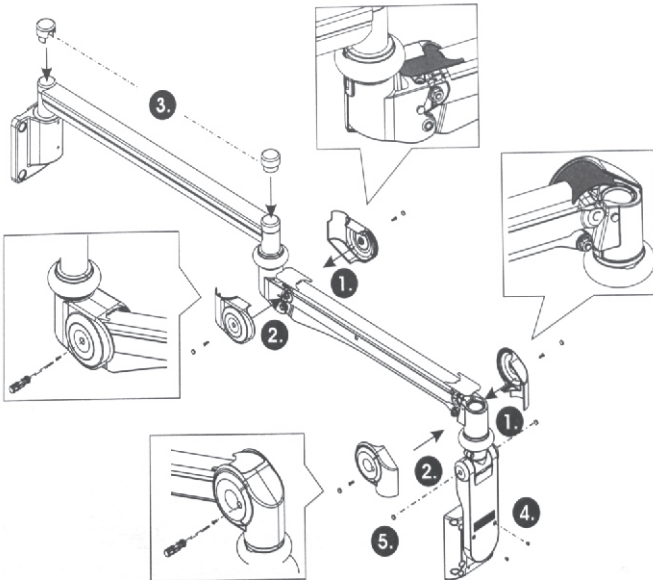
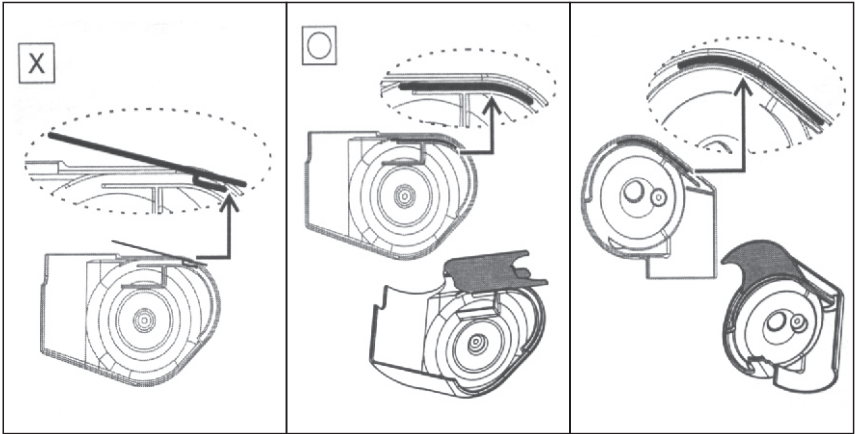
press the gas spring portion downward to be level



Cable Covers Assembly

1.3

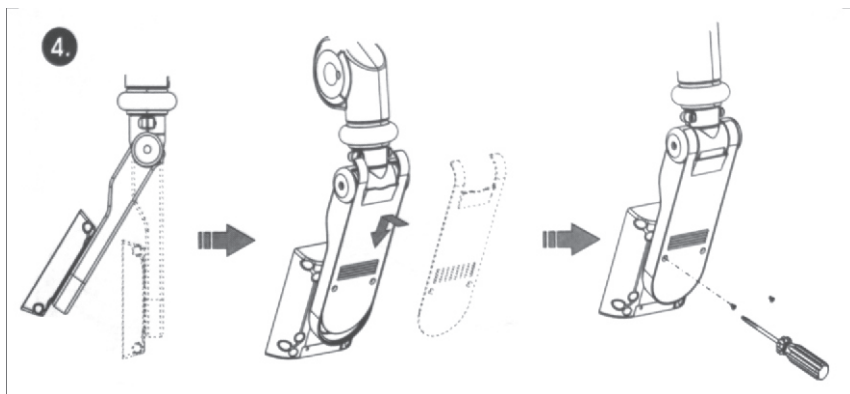
Follow the order as below to assemble the covers. Replace the adjuster covers as shown



Cable Covers Assembly

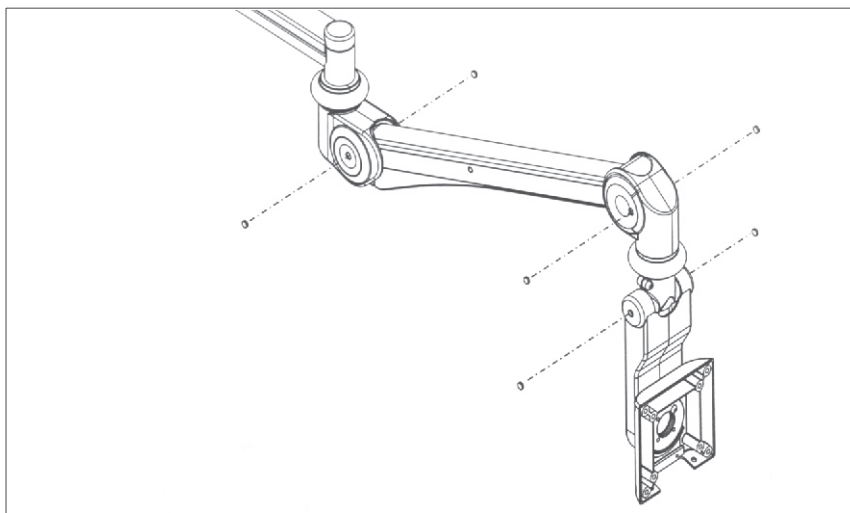
1.3

Follow the order as below to assemble the covers. Replace the VESA covers as shown



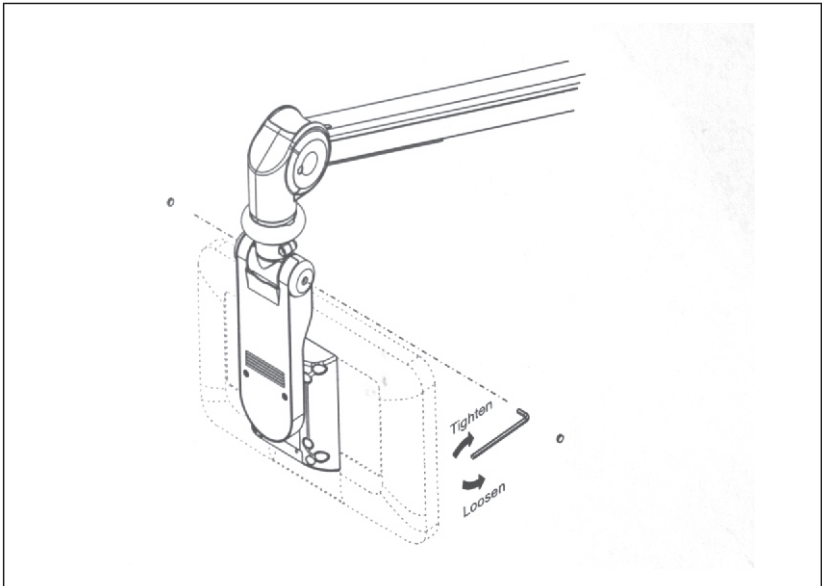
5.

Replace the screw covers as shown



Adjusting Universal Joint Tension

When assembling the arm with monitors of different weights, you may find that tension of the universal joint needs to be adjusted to ease movement or to maintain the desired monitor position. adjust as follows



use one hand to support the monitor and adjust the tension of the universal joint.


Clockwise: more tension
Counterclockwise : less tension

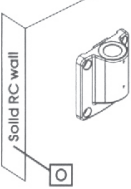
Caution


support the monitor during the adjustment procedure
Do not disassemble the universal joint

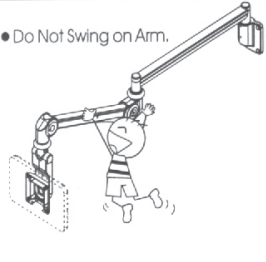
Safety Notes


- Once assembled DO NOT dis-assemble.
- Make sure that mounting screws are suitable for the vertical surface and adequate to hold the weight of the arm and the monitor.
- Support the monitor and arm throughout assembly and mounting.
- Keep small parts out of the reach of children.

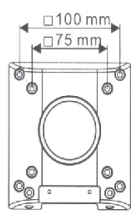
 ● Make sure that the vertical surface is substantial to take the weight of the arm and monitor.



 ● Do Not Swing on Arm.

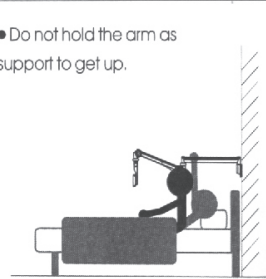



 ● Only use with monitors that are VESA compliant-75/75mm, 100/100mm.



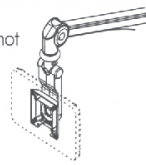
monitor

 ● Do not hold the arm as support to get up.



 ● Monitors to be mounted should not weigh any more than between.

1.5-4kg
3-9 lbs












● Products loading capacities are based on monitors' center of gravity less than 3cm from the end of the VESA Interface.
Loading capacity could be reduced if monitor size of greater than 15 inches or depth of greater than 5.5cm.

● All products specifications in catalogues are subject to change without notice.

 ● Do not hang unnecessary objects on the arm.




Technical parameter									
									Reach
W/Capacity(kg)	Unit(mm)	Tilt	Swivel	Pivot	VESA	Packing size (cm)	NW(kg)	GW(kg)	(mm)
1.5-4	675	±20°	360°	±90°	75*75 100*100	70*33*23	5.4	6.4	1190