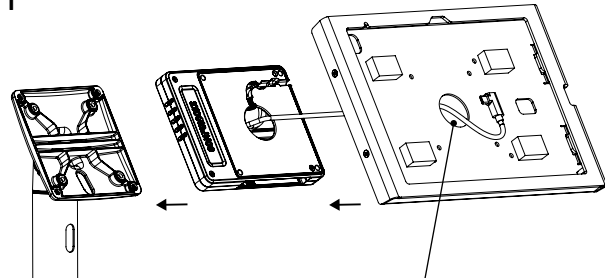


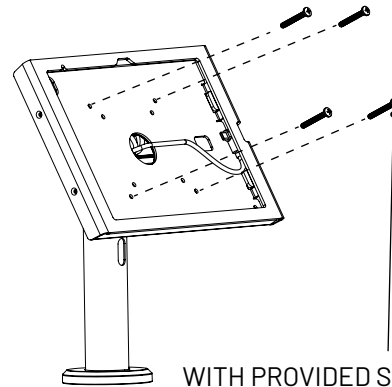
With Stand

1



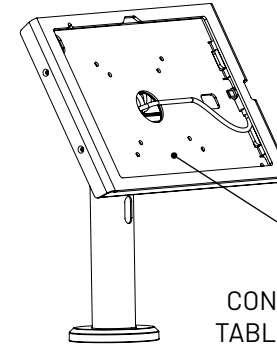
BRING THE PLUS HUB CABLE THROUGH THE CENTER HOLE OF THE BACKPLATE OF THE ENCLOSURE
ALIGN SCREW HOLES ON ENCLOSURE, PLUS HUB AND STAND.

2



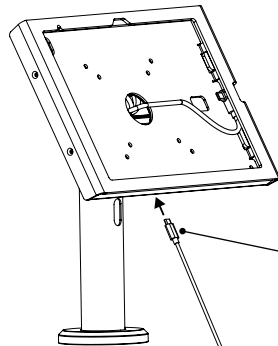
WITH PROVIDED SCREWS CONNECT THE ENCLOSURE THROUGH THE PLUS HUB TO THE STAND. TIGHTEN

3

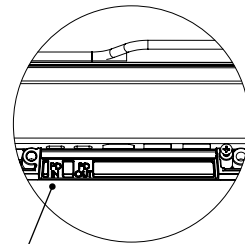


CONNECT PLUS HUB CABLE TO TABLET AND SECURE TOP PLATE AS PER INSTRUCTIONS PROVIDED FOR YOUR ENCLOSURE

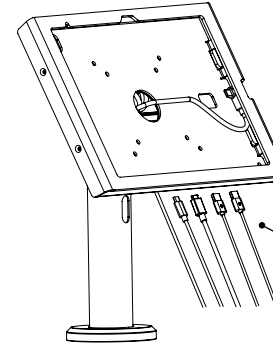
4



CONNECT POWER CABLE TO LEFT HAND INPUT PORT ON PLUS HUB

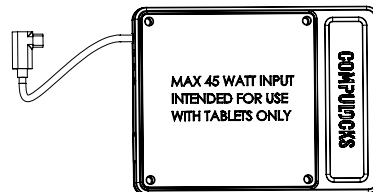


5

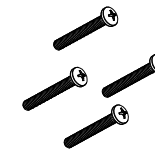


CONNECT OTHER CABLES TO PLUS HUB AS REQUIRED

IN THE BOX



Plus Hub



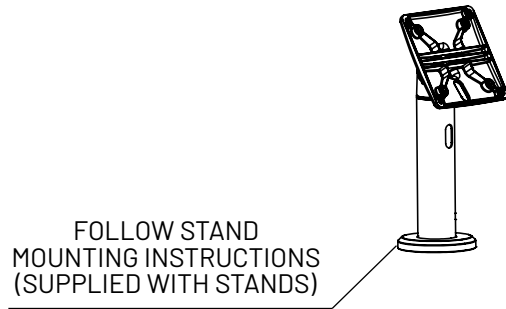
Philips Pan Head M4, 30mm

Apex Enclosure

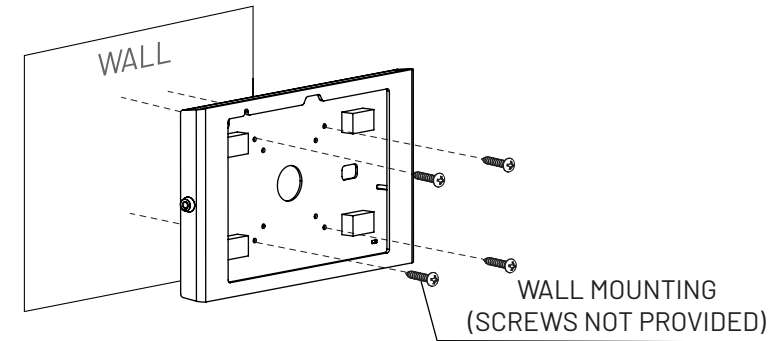
Assembly Instructions

COMPULOCKS

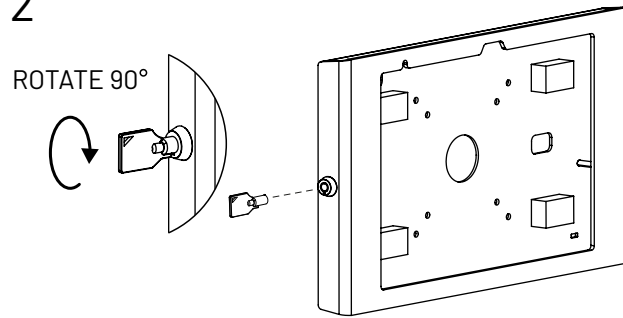
1



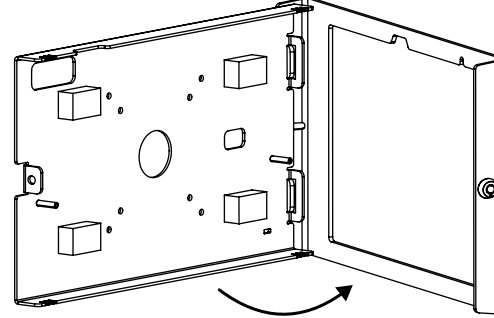
Or



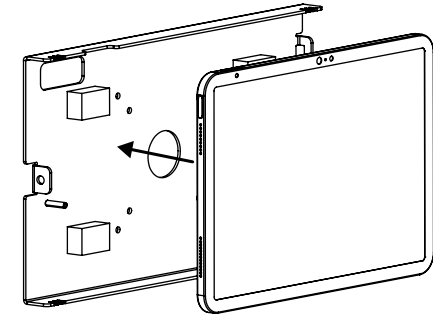
2



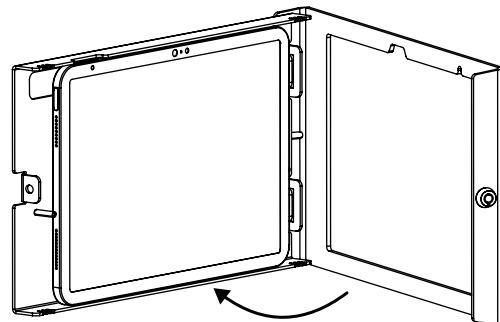
3



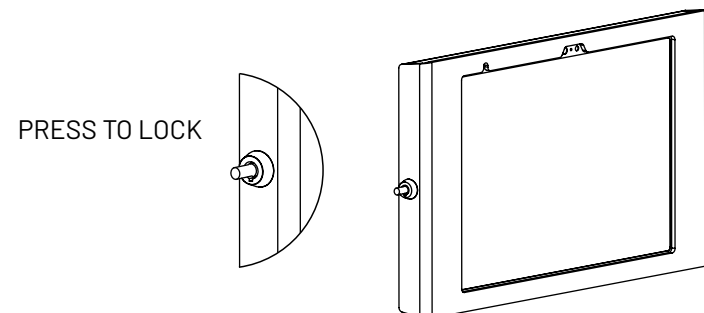
4



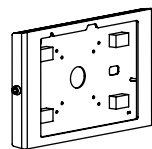
5



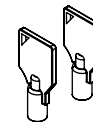
6



IN THE BOX

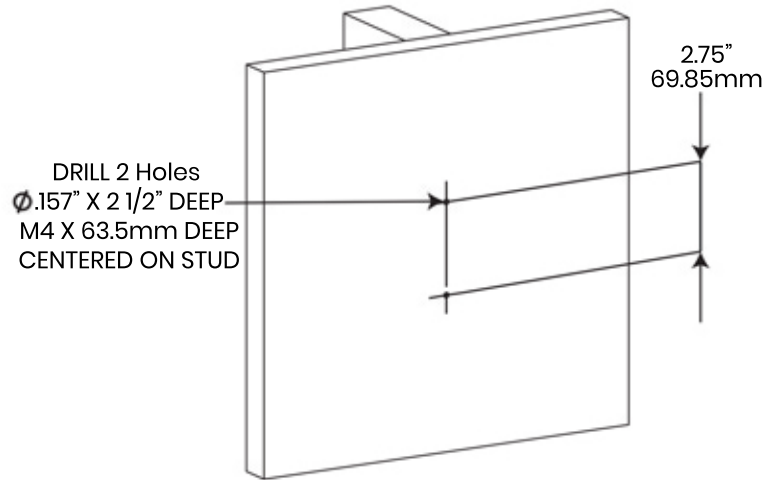


Apex Enclosure

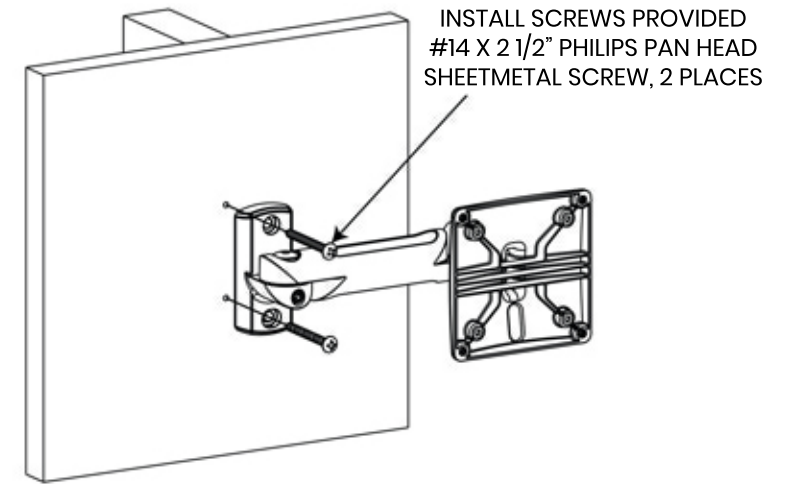


Keys

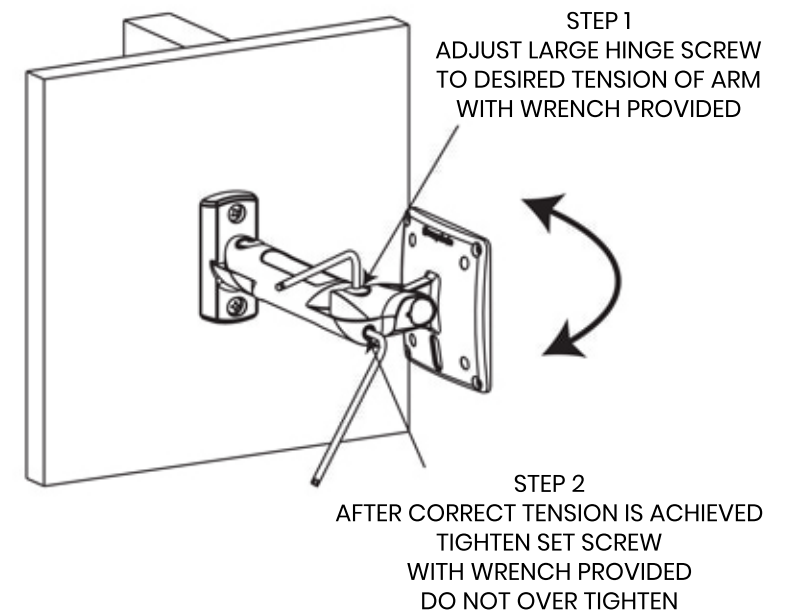
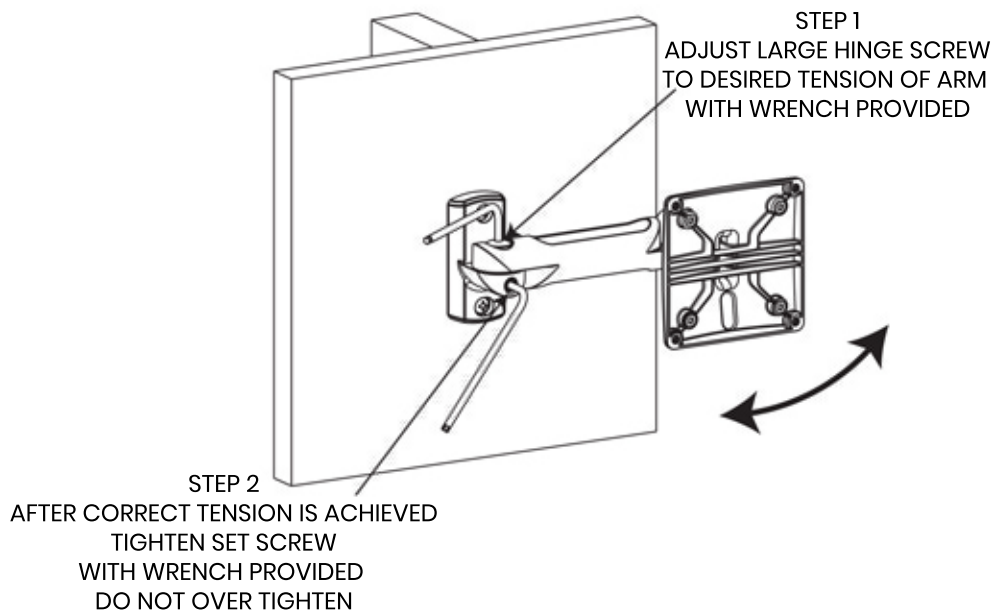
Wall Mounting - Wood Stud



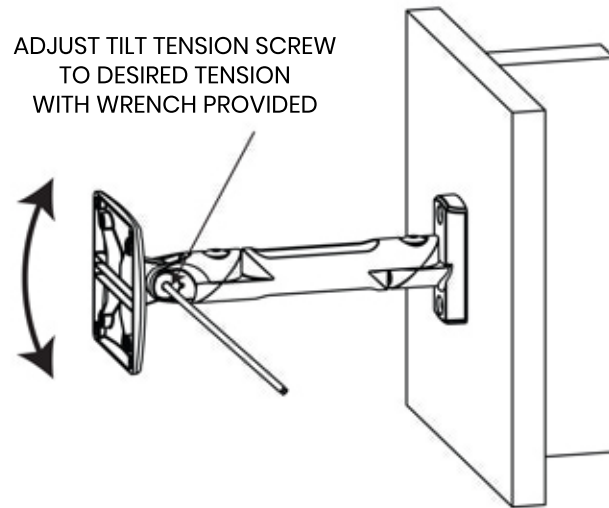
Wood Stud Installation



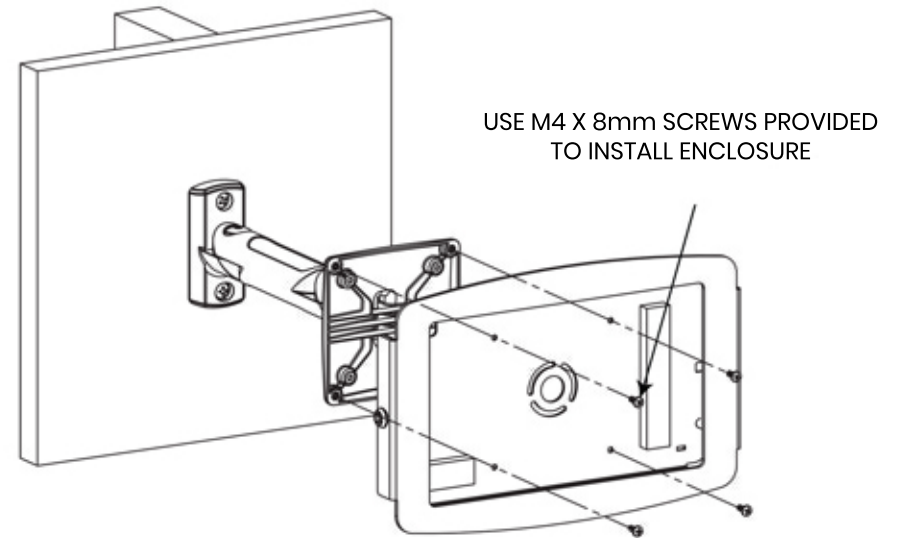
Hinge Adjustment



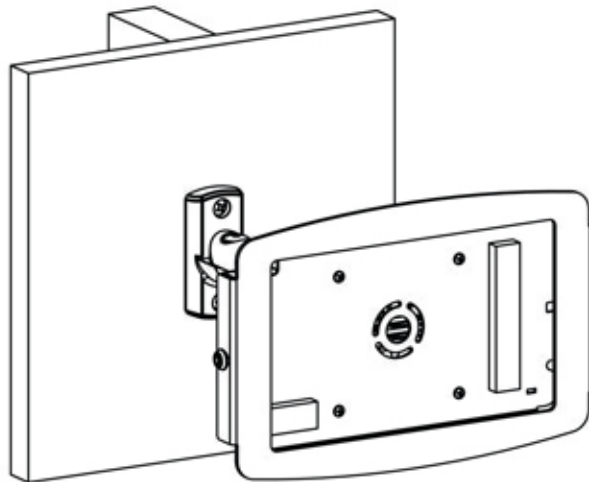
Tilt Adjustment



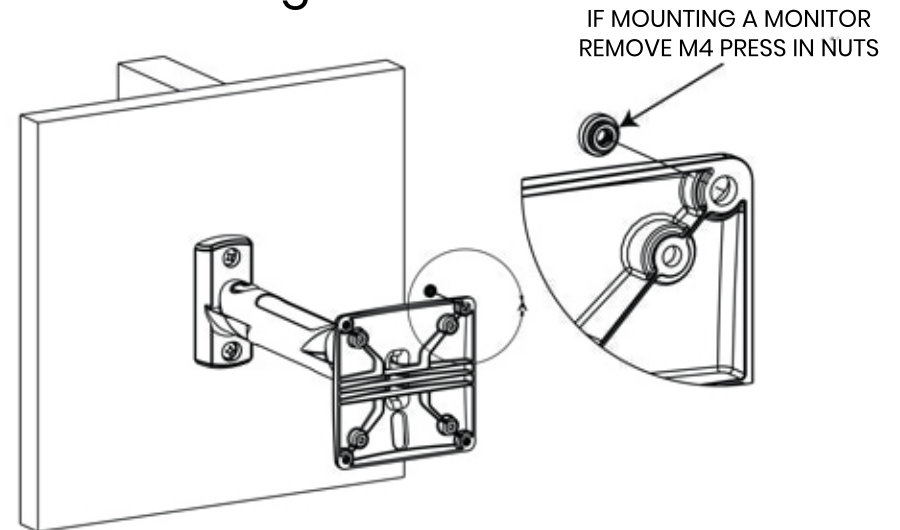
Enclosure Installation



Installation Complete



Monitor Mounting



HARDWARE FOR MOUNTING THE MONITOR IS NOT INCLUDED